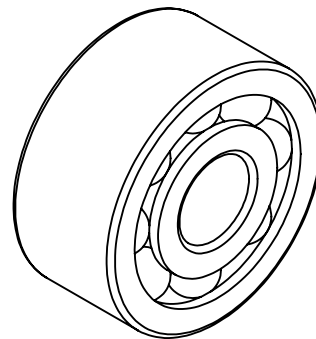


SECTION A-A



High Temp Bearings

TITLE:

Double Row Deep Groove Ball Bearing

SIZE	DWG. NO.	REV
A	4200	A

SCALE: NTS	WEIGHT: 0.05Kg	SHEET 1 OF 1
------------	----------------	--------------